

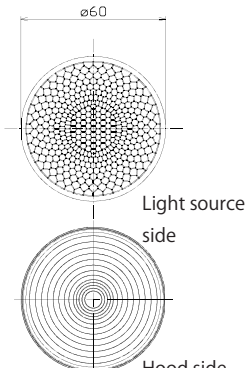
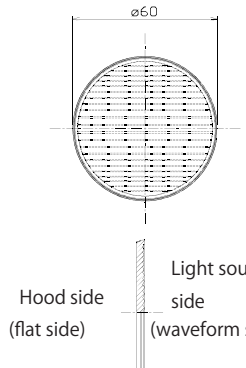
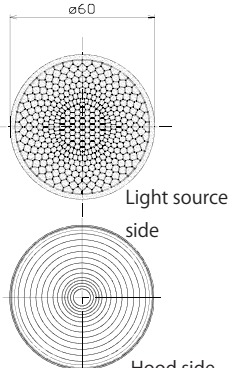
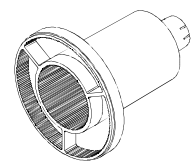
# ModuleX<sup>®</sup> 100

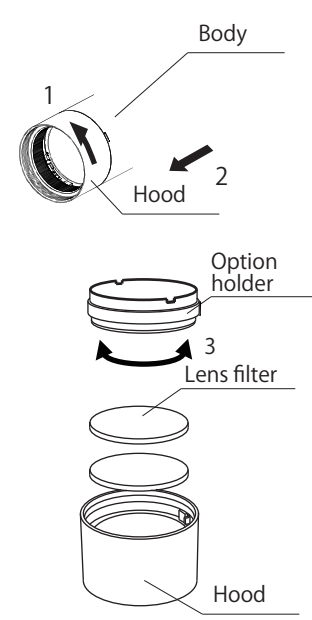
## ModuleX Filter lighting<sup>®</sup> Options Installation guide

### To install ModuleX safety

- Read the instructions carefully before installation and commissioning! If you have found a defect of or have any questions product, please stop the construction. Please contact your dealer.
- Leave the instructions for users/customers for future reference!

Lens filter mountable models	Sharpener mountable models
MMP-100S/1H    MMP-100A MMP-100S/3H MMP-100S/5H	MMP-100S/1H/W · M · S/1P/N    MMP-100A/WC/SWF · FLF/N MMP-100S/3H/W · M · S/1P/N    MMP-100A/MC/SWF · SMF · FLF/N MMP-100S/5H/W · M · S/1P/N    MMP-100A/CC/SWF · SMF · FLF/N For narrow light distribution model only!

Lens filter			Sharpener
<b>MLA-100/DF01, DS02</b> Full Diffuser Lens Filter, Semi Diffuser Lens Filter 	<b>MLA-100/SF01, SS01</b> Spread Lens Filter, Semi Spread Lens Filter 	<b>MLA-100/EC02</b> Edge Control Lens Filter 	<b>MLA-100/SH01</b> Sharpener  For narrow light distribution model only!

Installation Details	Installation Diagram	Caution
<ol style="list-style-type: none"> <li>Turn around the body.</li> <li>Pull out the body from the hood.</li> <li>Turn around the option holder, and put out.</li> <li>Put a filter in hood.</li> <li>Turn around the option holder, and put in.</li> </ol>		<p>UP to 2 FILTERS</p> <p>Option holder</p> <p>Sharpener</p> <p>Sharpener</p>
<p>Please attention that the sharpener lens is counted two pieces of filter lenses.</p> <p>Don't put in the filters than the rule number of pieces. Causes of falling and damage.</p>		<p>⚠ f</p> <p>⊕</p> <p>⊗</p>

### ⚠ Caution

- Before carrying out maintenance and installation on the luminaire, disconnect from the mains supply.
- It can not be used for non-mountable models.
- There is a risk of injury at the edge part of the product. Please enough attention to handling.
- Please be securely attached. Failure to observe this may cause the part of the luminaire to fall.
- Please do not disassemble or modify the product.

(Contact)

#### Concord Lighting

5/F, Longbow House, 14-20 Chiswell Street, London, EC1Y 4TW, UK  
Tel : +44-01273-616649

(Manufacturer)

#### ModuleX Inc.

#21 AraiBldg, 1-20-6 Ebisu-Minami Shibuya-ku, Tokyo  
Tel : +81-3-5768-3131